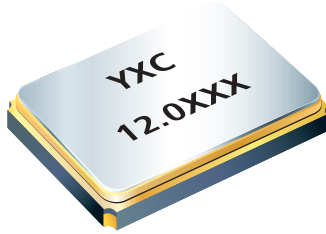




# YSX531SL



## Features



- External dimensions: 5.0 x 3.2 x 0.9 mm.
- Frequency range: 8MHz ~ 54MHz.
- High precision characteristics covering up to wide frequency range.
- Higher frequency stability and reliability.
- Excellent for reducing EMI effect.
- The best choice of Bluetooth, wireless communication set, DSC, PDA, mobile phone and USB interface card.

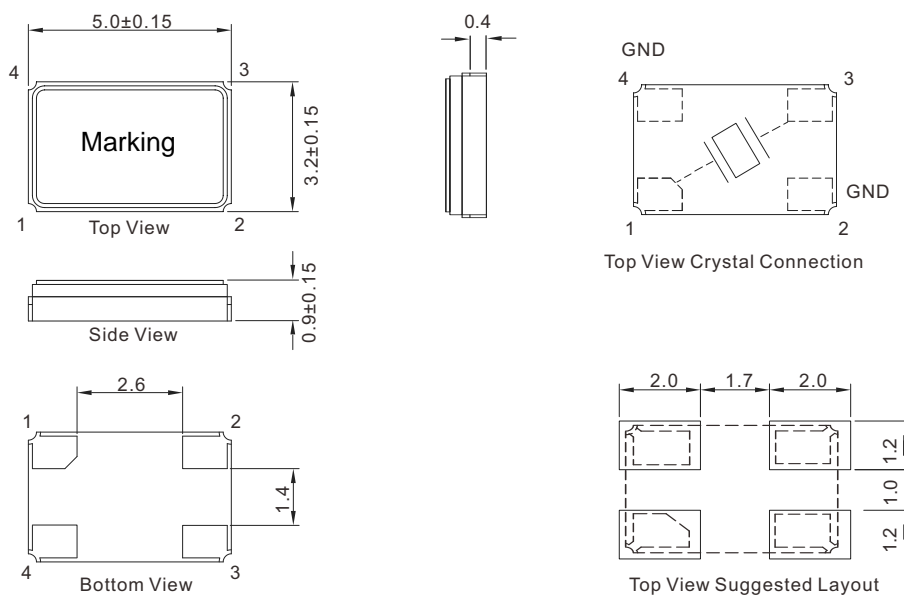
## Electrical Specifications

Item / Type	YSX531SL
Nominal Frequency Range	8 ~ 54 MHz
Vibration Mode	AT Fundamental
Load Capacitance	12pF, 20pF, or specify
Frequency Tolerance (at 25 °C)	± 10 ppm, ± 20 ppm, or specify
Frequency Versus Temperature Characteristics	±20 ppm, or specify
Operating Temperature	- 20 ~ + 70 °C , - 40 ~ + 85 °C , or specify
Storage Temperature	- 40 ~ + 85 °C , or specify
Shunt Capacitance	7 pF Max.
Level of Drive	1~100 μW Max. (10 uW typical)
Frequency Aging (at 25 °C)	± 3 ppm / year Max.
Insulation Resistance	More Than 500MΩ at DC 100V

## Equivalent Series Resistance(ESR)

Fundamental	
8 ~ 12 MHz	60 Ω ~ 80 Ω
12 ~ 25 MHz	40 Ω ~ 60 Ω
25 ~ 54 MHz	30 Ω ~ 40 Ω

## Dimensions



Units: mm



# YSX531SL



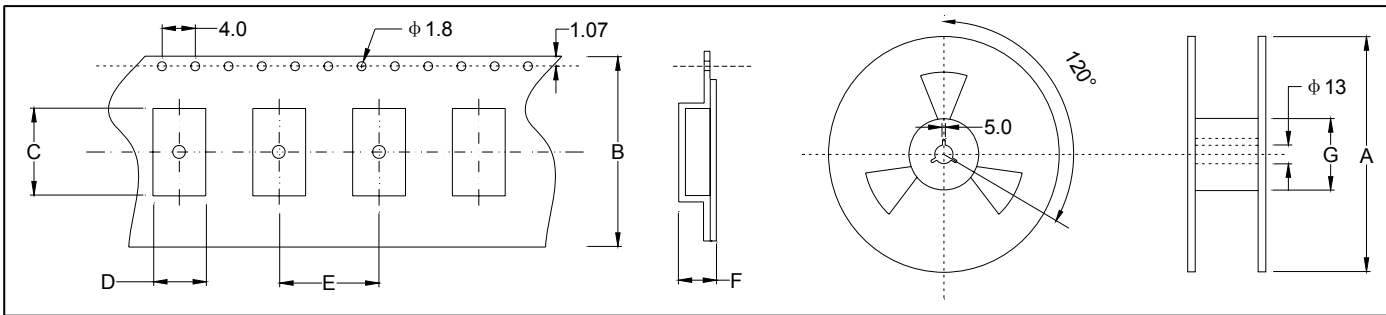
★ PART NUMBER GUIDE

e.g. X503212MSD4SC

YSX531SL=5.0 × 3.2 SMD SEAM TYPE

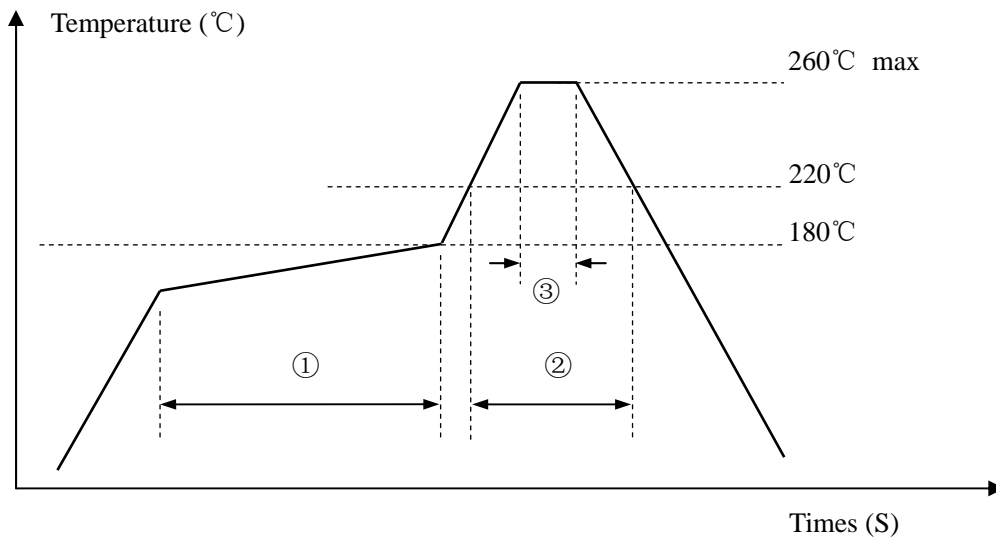
Quartz Crystal Resonator	Dimensions	Frequency (Hz)	Load Capacitance (pF)	Frequency Stability Overall (ppm)	Pin	Material	Operating Temp. Range
X	5032	12M	S	D	4	S	C

★ TAPING SPECIFICATION (Unit: mm)



	A	B	C	D	E	F	G
SMD5032	$178 \pm 2.0$	$12.0 \pm 0.3$	$5.80 \pm 0.10$	$4.05 \pm 0.10$	$7.65 \pm 0.1$	$1.60 \pm 0.10$	$57.15 \pm 1.0$
1000 pcs per reel							

★ REFLOW SOLDERING PROFILE



Pb free reflow A	①	Preheat	160~180°C	120sec. max
	②	Primary heat	220°C	60sec. max
	③	Peak	260°C	10sec. max.