

CRYSTAL UNIT

32.768KHZ

YSX2012SK *Small Size*



Applications

- RTC.

Features

- Dimensions: 2.00 x 1.20 x 0.60 mm.
- Ultra-thin thickness 0.6mm.
- Standard Frequency: 32.768KHz
- Reflow is possible.



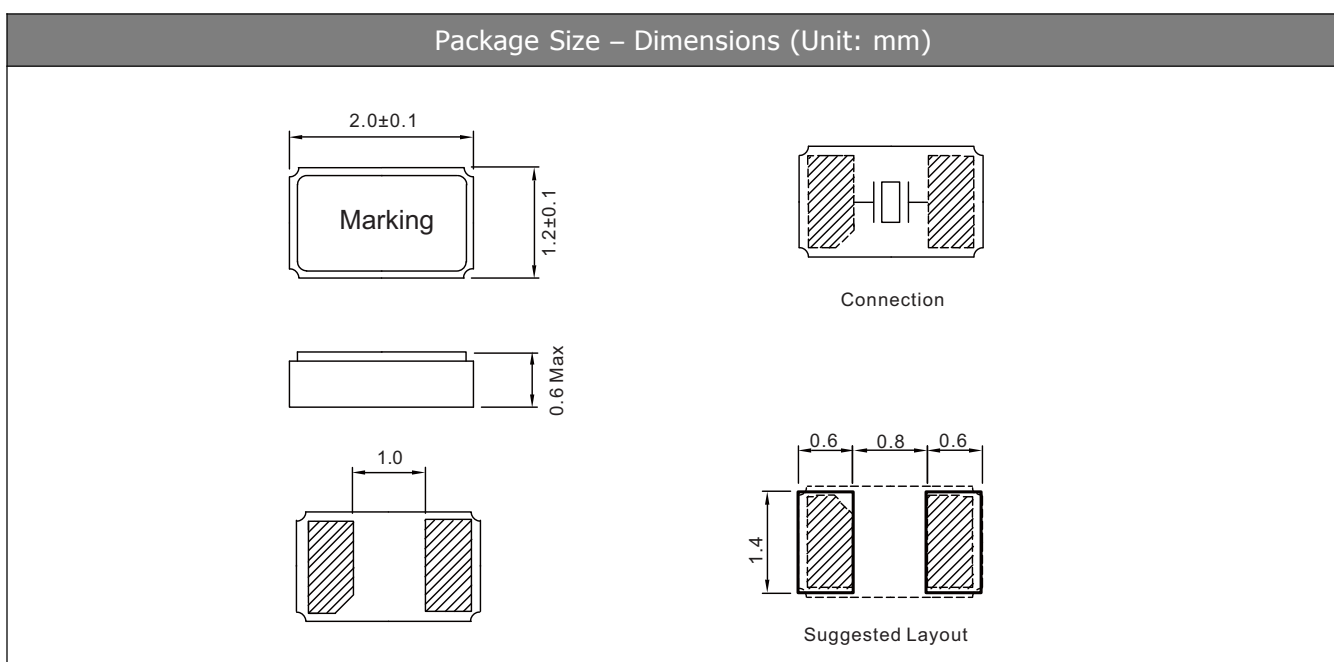
Specifications

Standard Frequency	32.768 KHz
Load Capacitance	7pF, 9pF, 12.5pF, or specify
Frequency Tolerance (at 25 °C)	±10ppm, ±20ppm, or specify
Parabolic Coefficient	$(-0.03 \pm 0.01) * 10^{-6} / ^\circ\text{C}^2$
Operating Temperature	-40~+85 °C, or specify
Storage Temperature	-55~+125 °C
Shunt Capacitance	1.3 pF Max.
Motional Capacitance	7.5fF
Level of Drive	0.1µWMax
Aging (at 25 °C)	±3ppm/year Max.

Equivalent Series Resistance(ESR)

YSX2012SK
90K Ω Max.

Dimensions and Patterns [unit:mm]



CRYSTAL UNIT

32.768KHZ

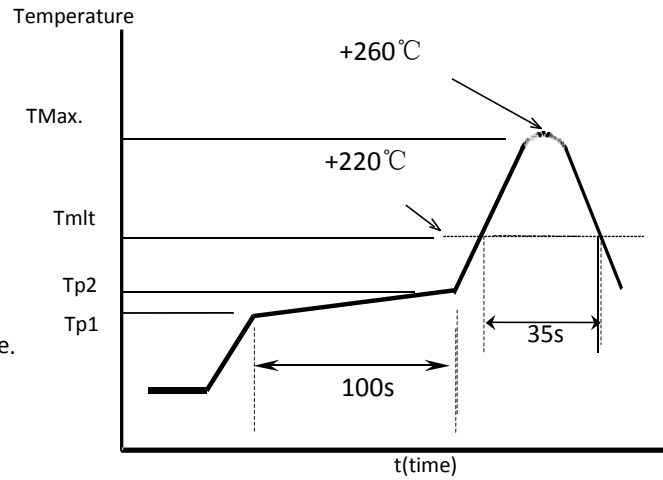
YSX2012SK *Small Size*



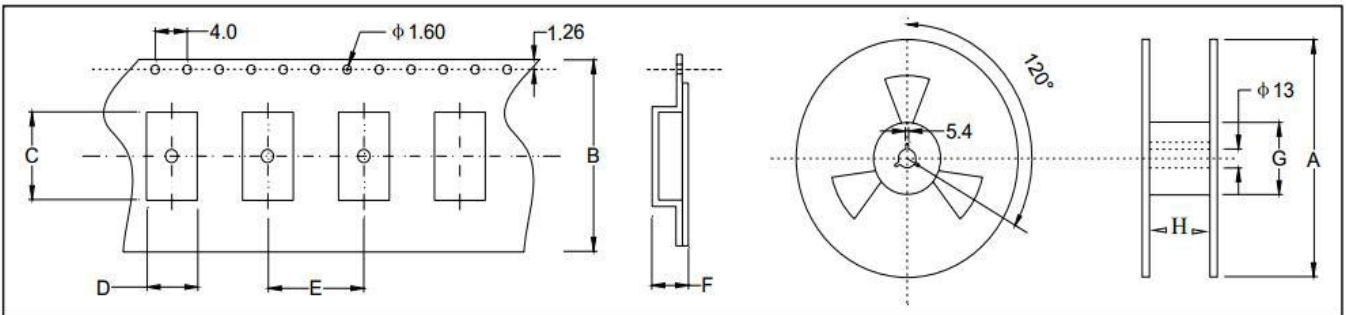
Reflow Soldering Profile

Pre Heating Temperature
 Tp1 ~ Tp2 = + 170 °C
 Heating Temperature
 TMLt = + 220 °C
 Peak Temperature
 TMax. = + 260 °C

Point of measuring
 In case of Solder ability Terminal.
 In case of Resistance to soldering heat Surface.



Taping Specification(Unit: mm)



Size	A	B	C	D	E	F	G	H
SMD-2012	180±2.0	8.0±0.3	2.30±0.1	1.45±0.1	4.0±0.1	0.80±0.1	61.0±1.0	8.0±1.0

5000 pcs per reel