

ZTB455E

Ceramic Resonator

1. SCOPE

This specification shall cover the characteristics of the ceramic resonator with 455KHz

2. SPECIFICATION NO. : LG65●03●2007

3. PART NO. : ZTB455E

4. ELECTRICAL SPECIFICATION

4.1 Oscillation Frequency (Fosc) : 455±2KHz

4.2 Resonant Impedance(Ro) : 30Ω max.

4.3 Capacitance (Co) : 285PF±20%

4.4 Temperature Characteristics

of Oscillation Frequency : ±0.3% max. (-20°C to +80°C)

4.5 Rated Voltage : 50 VDC max.

4.6 Maximum Input Voltage : 15 Vp-p

4.7 Insulation Resistance : 1000MΩ min.

5. Environmental Specification :

5.1 Lead Pull : 1KG load Terminal Direction Min.

5.2 Vibration : 600-3300rpm. 1.5mm.x.y & .z axes. 1H Each Min.

5.3 Shock : Random Drop, 30cm High Concrete Floor

5.4 Solderability : Dipping Terminals Into Molten Solder at
230±5°C At 5±0.5 Sec.

5.5 Resistance to

Soldering Heat : Dipping Lead Terminals No Closer Than 2mm
From the Sn 350 ± 10°C 3 Sec.
After 1H to Test.

5.6 Heat Resistance : Keep In 40±2°C Temp 90% Humidity For 100H
After 1H To Test.

5.7 Operation Temperature : -20°C to +80°C

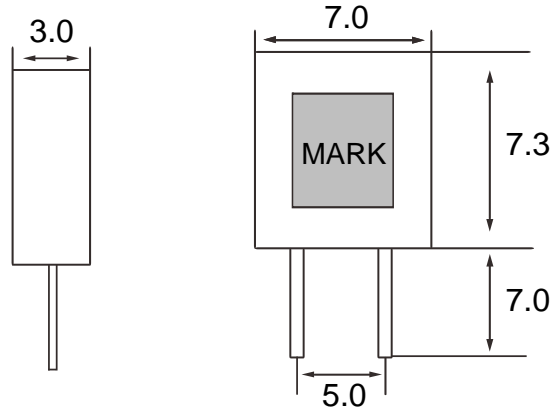
5.8 Storage Temperature : -40°C to +85°C

5.9 Aging Rate : Fosc ±0.5% max.

ZTB455E

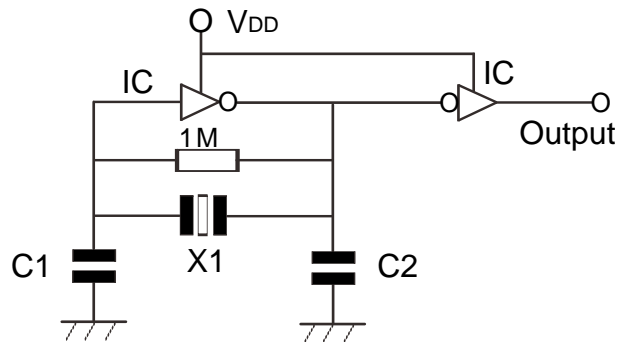
Ceramic Resonator

6. Dimensions (mm)



Mark: ZTB455E

7. Test circuit



X1: ZTB455E

V_{DD}=5.0V

IC:1/6TC4069UBP×2

C1=C2=100PF